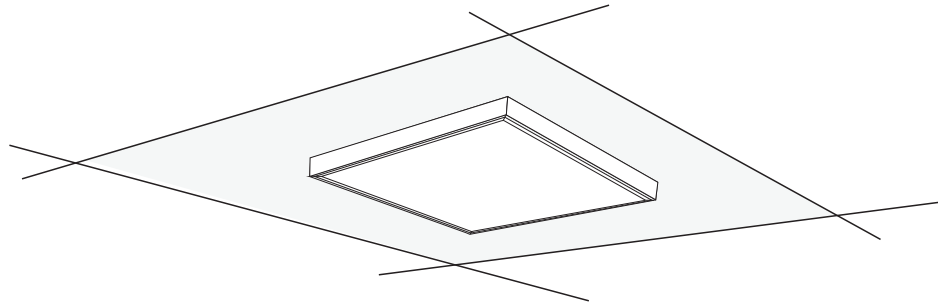


SURFACE MOUNT FRAME

ST00544 & ST00586



BEFORE YOU BEGIN

Read these instructions completely and carefully.

⚠ WARNING/AVERTISSEMENT

RISK OF ELECTRIC SHOCK

- Turn power off before inspection, installation or removal.
- Properly ground electrical enclosure.

RISK OF FIRE

- Follow all NEC and local codes.
- Use only UL or IEC approved wire for input/output connections. Minimum size 18 AWG (0.75mm²).

RISQUES DE DÉCHARGES ÉLECTRIQUES

- Coupez l'alimentation avant d'inspecter, installer ou déplacer le luminaire.
- Assurez-vous de correctement mettre à la terre le boîtier d'alimentation électrique.

RISQUES D'INCENDIE

- Respectez tous les codes NEC et codes locaux.
- N'utilisez que des fils approuvés par UL ou IEC pour les entrées/sorties de connexion. Taille minimum 18 AWG (0.75mm²).

Prepare Electrical Wiring



Electrical Requirements

- The LED luminaire must be connected to the mains supply according to its ratings on the product label.



Grounding Instructions

- The grounding and bonding of the overall system shall be done in accordance to local electric code of the country where the luminaire is installed.

Save These Instructions

Use only in the manner intended by the manufacturer. If you have any questions, contact the manufacturer.

⚠ CAUTION

Do not perforate the integrity of the luminaire. Only screw into the threaded mounting bracket holes located at the four corners of the fixture.

⚠ WARNING/AVERTISSEMENT

Risk of Fire Do not install insulation within 3 inches (76 mm) of luminaire top.

Storage Info

Risques d'incendie

Environmental Operating Temperature Range	-10°C to +40°C
Environmental Rating	Dry location rated
Environmental Storage Temperature Range	-40°C to +60°C

SURFACE MOUNT FRAME KIT

Product	Frame Dimension	EAN
ST00539	300 x 600 x 50 mm	5944035102566
ST00544	600 x 600 x 50 mm	5944035100104
ST00586	300 x 1200 x 50 mm	5944035100357

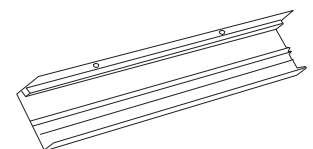
ST00539



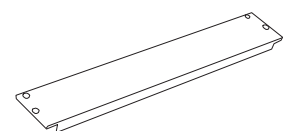
ST00544



ST00586



Frame A

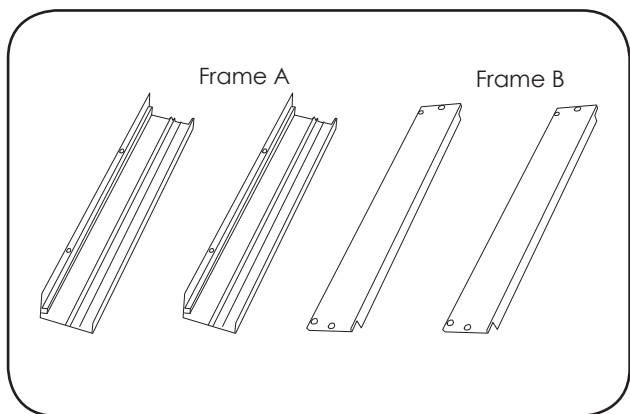


Frame B

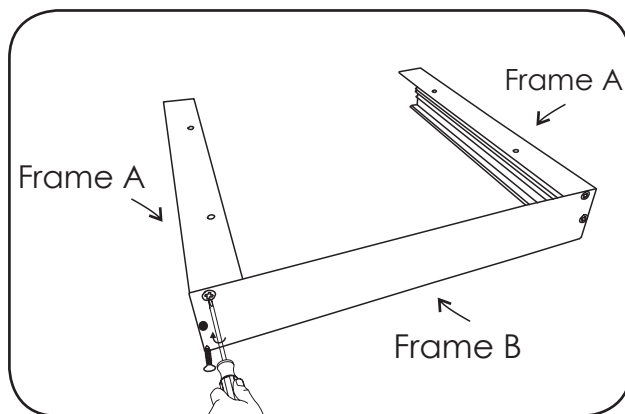
SURFACE MOUNT FRAME

ST00544 & ST00586

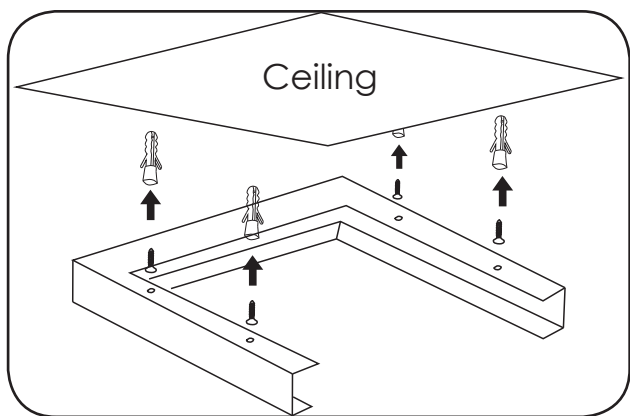
INSTALLATION STEPS



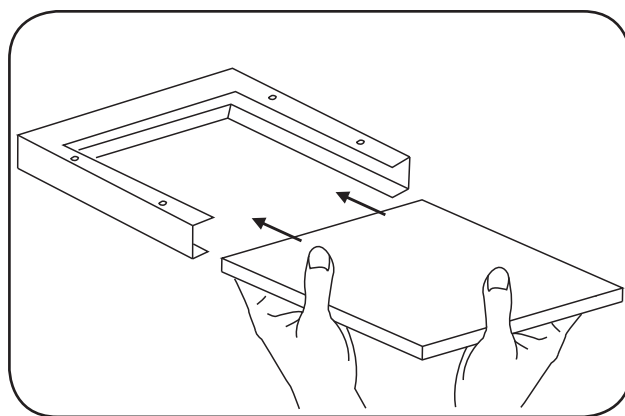
1 Identify the two frame types as illustrated above (Type A and B).



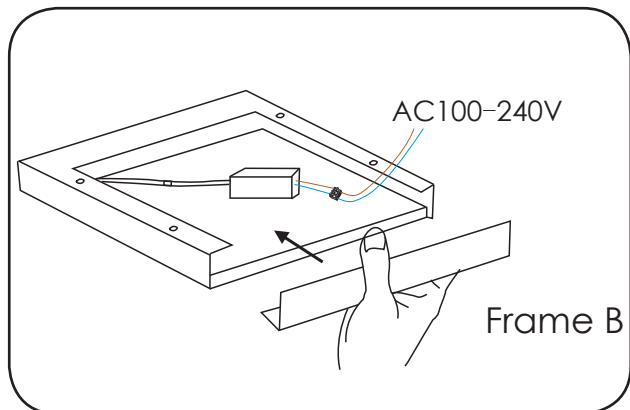
2 Fix the two 'A' frames together with one 'B' frame.



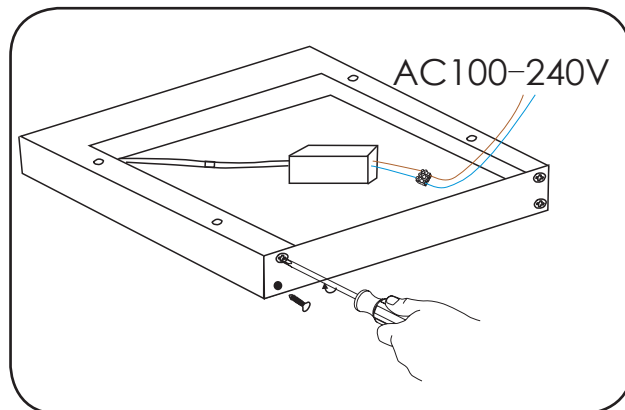
3 Mount the frame to the ceiling.



4 Slide the LED Panel in to the frame.



5 Insert the other 'B' frame on to the ends of the 'A' frames.



6 Fix the 'B' frame with the screws supplied.